



*DREAM LIGHT Workshop*

# User Manual

DLW J120B IP

Guangzhou Dream Lighting Equipment Co., LTD

# Contents

<b>Safety Information</b> .....	3/4
<b>Package &amp; Transportation</b> .....	5
Fixture Package .....	5
Transport protection lock .....	5
Unpacking .....	5
Accessories with fixture .....	5
<b>Product Introduction Specification</b> .....	6
Electrical parameters .....	6
Light Source parameters .....	6
Optics parameters .....	6
Effect configuration .....	6
Fixture Movement .....	6
Electronic Control .....	6
Color System .....	7
Gobo System .....	8
Gobo Specifications .....	9
Fixture size & Weight .....	10
<b>Operation Panel Instruction</b> .....	10
Panel Instructions .....	10
Detailed Operation Table of Display panel .....	11/12
<b>Signal Connection</b> .....	13
<b>Power Connection</b> .....	14
Connection type .....	14
<b>Installation instruction &amp; requirement</b> .....	14
G- clamp Installation .....	14

Fixture Installation .....	15
Fixture Placement .....	16
<b>DMX Channel Sheet (Brief) .....</b>	<b>17</b>
<b>DMX Specific Channel Sheet .....</b>	<b>18/19/20/21</b>
<b>Maintenance &amp; cleaning of the fixture .....</b>	<b>22</b>
<b>Troubleshooting .....</b>	<b>22/23</b>
<b>Attachment 1 Angle range and the measurement figure of the fixture .....</b>	<b>24/25</b>
<b>Attachment 2 Electrical Diagram.....</b>	<b>26</b>

## Safety Information




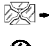

**Note:** Please check the complete package after received , and please unpack and check if the fixture is damaged during shipping. If the fixture is damaged during shipping, please do not use it and contact the manufacturer/local technicians as soon as possible.

The following identifications are used to identify the product and identify the important safety information in the user manual.

Warning!	Warning! See user documentation.	Warning! Hazardous voltage. Risk of lethal or severe electric shock.	Properly grounded	Warning! Intense light emission.	Warning! High surface temperature Don't touch!	Warning! Must wear gloves!
				$t_a \dots ^\circ\text{C}$		
Warning! Fire hazard.	Do not stare at the operating light source	Do not interfere with the track of the operating fixture	Minimum distance of illuminated objects(m)	Rated maximum ambient temperature!	Don't install the fixture on the surfact of combustible materials!	Replace any cracked protective shields

### Notes:

- The fixture is used professionally only, please don't used it for any other purposes.
- Please refer to the latest user manual before using the fixture. The fixture is out of warranty if problems are caused by any incorrect use or negligence of the user manual.
- The protection level rate is IP66.
- In order to avoid damage the fixture, it is required more than 1 person when moving the fixture. When hanging the fixture, the hanging device must be tested. The hanging device should be able to bear more than 6 times of weight of the fixture.  
Please make sure the housing and G-clamp are fixed and do not have damage after installed. Please use the safety chain to keep the fixture fixed on the truss safely.
- The fixture should be installed in a well-ventilated place. Keep the distance of the fixture and the obstacles more than 0.5 meter, and please check the fans and ventilation hole sare not blocked.

- Please don't install the fixture on the surfaces of the inflammable goods directly.
- Please check the voltage before the professional technicians install the fixture.  
The voltage must be the same with the voltage which marked on the fixture.  
Overloading protection or leakage protection are also required.
- When replacing the fuse of a fixture, please check whether the fuse meets the specified technical requirements. Do not replace or short-circuit it without allowed. Please confirm whether the input voltage meets the specified technical requirements and is correctly grounded before powering on.
- Please cut off the power supply when replacing the fuse. (  )
- Rated maximum ambient temperature when the fixture is working:  $t_a = 40^{\circ}\text{C}$ .
- The safe/shortest distance to the illuminate object: 10m.
- when the fixture working stably, the maximum surface temperature:  $t_c = 75^{\circ}\text{C}$ .
- The shortest safety distance to combustible material: 0.7m.
- Please don't touch the fixture when it is working stably. It's highest surface temperature can reach  $75^{\circ}\text{C}$ .
- The fixture must be positioned in such a way that it is not subjected to prolonged observation from a distance of less than 3.5 meters.
- Please don't stare at the working fixture directly without any eye protection.
- Please replace the protective cover and lens if any visible damage happened or the damage has reached the malfunction level. (   )
- The fixture must be installed, operated, and maintained by professionals strictly according to the user manual.
- All the information of the user manual is for your reference only. All fixtures should be subject to the actual product, which is subject to change without prior notice.

## Package & Transportation

### Fixture package

- Please cut off the power supply and cool it down for over 15minutes before packing the fixture.
- Lock the protection lock for tilt well.
- Please place the fixture in the plastic bag, and then carefully put it into the flight case vertically, the accessories are placed at special area in flight case, then close the lid and lock the flight case. Please don't put it upside down.

### Transport protection lock

- Protective locks for tilt movement are installed in the fixture for safe transportation.

### Unpacking

- Open the packing box, and then open the inner packing bag.
- Grasp the handle of the fixture, take it out from the case carefully.
- Unlock the protective lock before power on the fixture.

Notice: Please check the complete package after received the fixture, please check whether the fixture is damaged or not during shipping after opened the packing. If the fixture is damaged during shipping, please don't use it first, and contact the manufacture/local technicians as soon as possible.

### Accessories with fixture

Accessories	Qty
User Manual	1
Warranty Card	1
Safety Chain	1
Signal Cable	1
Power Cable	1

## Product Introduction Specifications

### Electrical parameters

AC100 - 240V 50 / 60 Hz

Input Power:260W rated electrical current:2.6A, PF≥0.98

### Light Source parameters

- Light source : 120W Laser white module.
- Color temperature:9500K.
- LED module expected lifespan:20000Hrs.

### Optics parameters

- Lens:High-definition lens with anti-reflective film.
- Beam angle: 1°

### Effect configuration

- 2 prisms, (4-facet linear and 24-facet circular), can be overlaid for multilayer beam effect, with continuous rotation in both directions.
- One frost filter can fade in and out.
- 0-100% linear dimmer,4 dimming curve options, 4 dimming speed options.
- Fast strobe,multiple strobe options,pulse,asynchronistic,synchronistic,random slow, medium and fast speed.

### Fixture movement

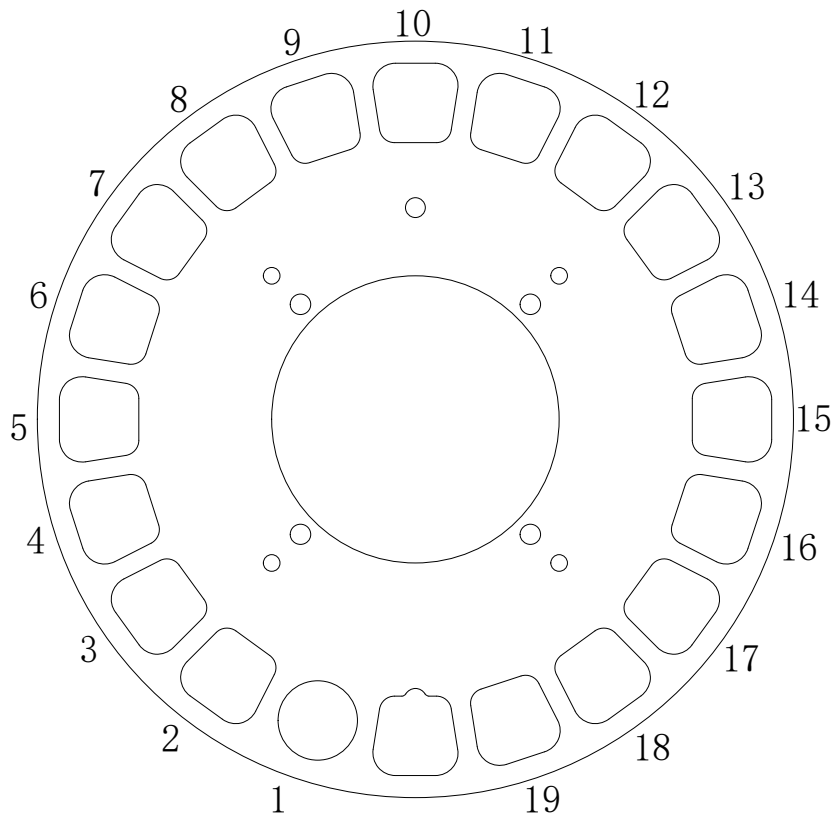
- PAN=infinite rotation.
- TILT=infinite rotation.

### Electronic Control

- Channel:23Ch/26Ch/34Ch.
- Control Protocols:DMX512,RDM,Art-Net,sACN,wireless function(optional).
- Control Portals: XLR-3+ XLR-5; RJ45 (optional).
- Menu display: 1.77" LCD screen; choice of Chinese and English language, menu available to be displayed 180° reversely.
- Electronic sensors testing, fan intelligent detect and controllable.
- Eco mode(sleep mode when standby)
- Non-touching magnetic encoder positionable system for pan/tilt.

## Color System

- CMY infinite color mixing.
- One color wheel with 19 color filters. can rotate in both directions, create effects of rainbow, stepping, gradual changing colors.(Pic1).

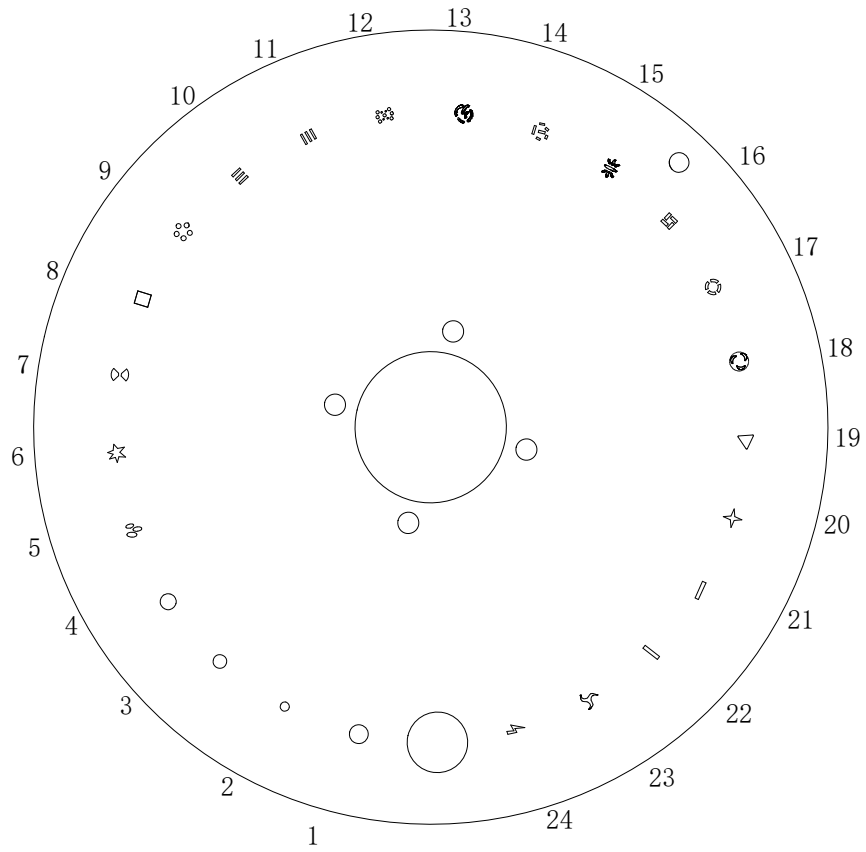


Pic1

1. Red
2. Yellow
3. Plum red
4. Yellow-green
5. Pink
6. Orange-red
7. green
8. Cooling
9. 2500K
10. Deep yellow
11. Fluorescence
12. Blue
13. Orange
14. Shallow blue
15. Shallow green
16. Copious cooling
17. Deep blue
18. Ultraviolet
19. Tetrachromatic

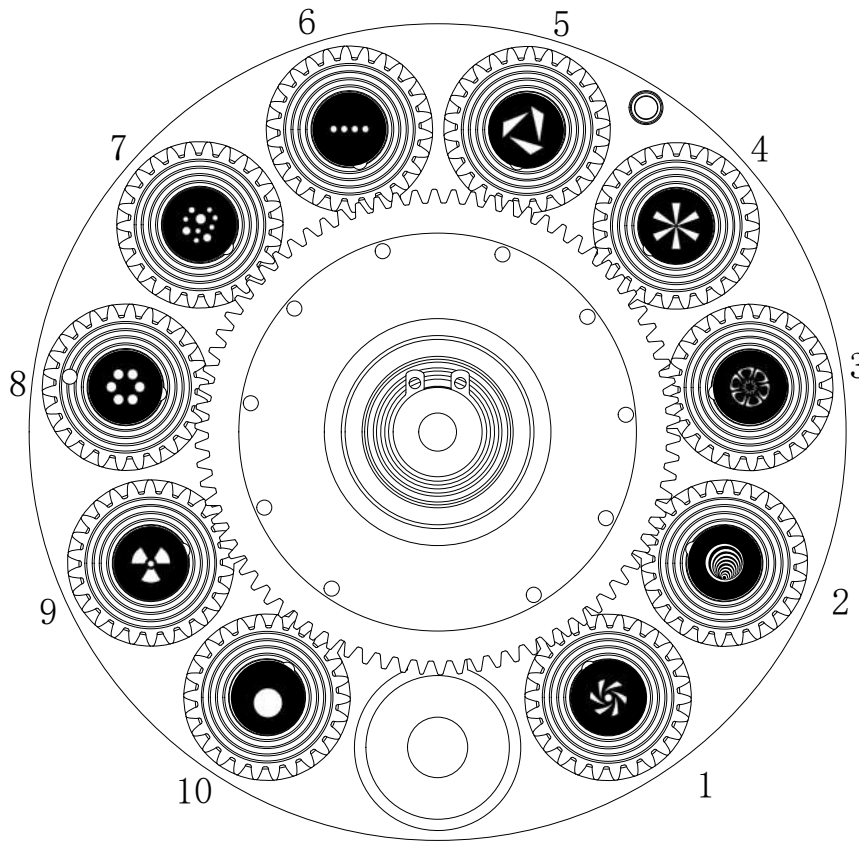
## Gobo System

- One static gobo wheel, 24 gobos plus open, bi-directional scrolling. (Pic2)



Pic2

- One rotating gobo wheel with 10 unique gobos + 1 open circle, can bi-directional rotate with effects of self-rotation, scrolling and shaking, the gobos can be accurately controlled at 16bit.(Pic3)



Pic3

**Gobo Specifications**

- The gobo plates are made from glass, it can be customized according to user needs.

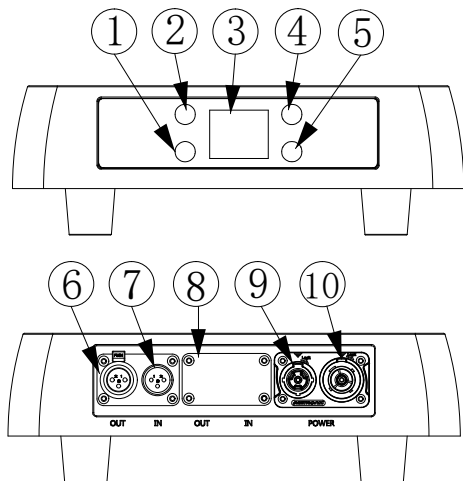
The size for customized gobo plates:

Material	Outer diameter	Effective Diameter	Thickness
Glass Gobo	∅9.8mm	∅ 6mm	1.1mm
Gobo plates adopt high temperature glass.			

### Fixture Size& Weight:

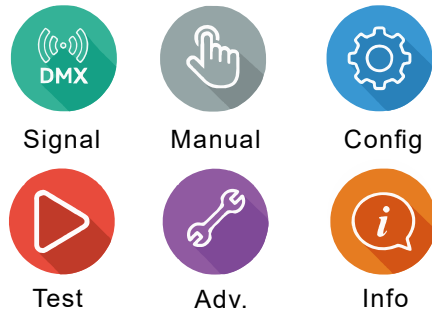
- Fixture size:327X327X508mm
- Net weight:14.5Kg
- IP Grade:IP66
- Flight case: 1120X505X733mm(3 positions)
- Flight case net weight:45kg

### Operation Panel Instruction



Pic5

① Display contents



Pic6




As shown in pic 5:



- |                |                    |                   |                 |
|----------------|--------------------|-------------------|-----------------|
| 1..Enter       | 4.Up               | 7.3-XLR DMX Input | 10.Power Output |
| 2.Menu(Return) | 5.Down             | 8.Reserved        |                 |
| 3.LCD display  | 6.3-XLR DMX Output | 9.Power Input     |                 |

### Panel Instructions

- Up Direction key:Select Sub-menu cyclically(upward).Circulate downward to adjust data value.
- Down Direction key: Select Sub-menu cyclically (downward). Circulate downward to adjust data value.
- Left Direction key(Back):Back to menu.
- Right Direction key(Confirm):Confirm the selected data value reselect cyclical data window.
- Unlock code for black screen:Menu-Up-Enter-Down.

Detailed Operation Table of Display panel

<b>Signal</b> 	Dmx Address	001-512	
	Ch.Mode		XXCH,XXCH, XXCH
	Run Mode		DMX,ArtNet
	Net Setting	IP Address	
		IP Addr0	000-255
		IP Addr1	000-255
		IP Addr2	000-255
		IP Addr3	000-255
		Net Mask	
		Net Mask0	000-255
		Net Mask1	000-255
		Net Mask2	000-255
	Net Mask3	000-255	
	Universe	000-255	
	No Signal St.		DataHold,BlackOut
<b>Manual</b> 	Ch. Ctrl		
		.....	.....
		.....	.....
		.....	.....
	Fix. Rst		Off/Run
<b>Config</b> 	Pan Reverse		Close/Open
	Tilt Reverse		Close/Open
	Lost Correct		Open/Close
	PT Speed		Fast/Normal
	Dim. Curve		Parabola/S-Curve/Inv.Parab/Linear
	Dim. Freq		1.2KHz, 6KHz, 12KHz, 24KHz
	Dim. Speed		Speed1/Speed2/Speed3/Speed4
	SCN Mode		Theatre/Silent/Auto/Full
	Disp Off		60s/Always
	Disp Flip		Close/Open
	Disp Lang.		中文/ENG
	Sleep Mode		Close/Open
	Key Baklight		000-015
	key Lock		Open/Close
<b>Test</b> 	Fixture Demo		
			Stop
			SingleRun
			CycleRun

<p>Adv.</p> 	MAINT Password		000-255
	Bright Time Rst		Off/Run
	Load Facto		Off/Run
	Calibration		
		.....	.....
	Restore Opt		
		Clear All Offset	Off/Run
		ToT Time Rst	Off/Run
		Panel Inqur.	xxxxxxxx
		XY Drv Comm.	xxxxxxxx
		MotDrv Comm.	xxxxxxxx
	PAN T.	xxxxxxxx	
	XY T.	xxxxxxxx	
	MT T.	xxxxxxxx	
<p>Info</p> 	Time Info		
		PowOn Time	xxxxH
		Bright Time	xxxxH
		Total Time	xxxxH
	Soft Ver.		
		Panel	xxxxxxxxxxxx
		XY Drv	xxxxxxxxxxxx
		MotDrv	xxxxxxxxxxxx
	Temperature		
		Panel	xxx°C
		XY Drv	xxx°C
		MotDrv	xxx°C
		LEDM	xxx°C
	Fan Speed		
		LEDM	xxxx
	Error Info		No Error Message
Manufacture ID		XXXXX	
RDM UID		xxxxxh	

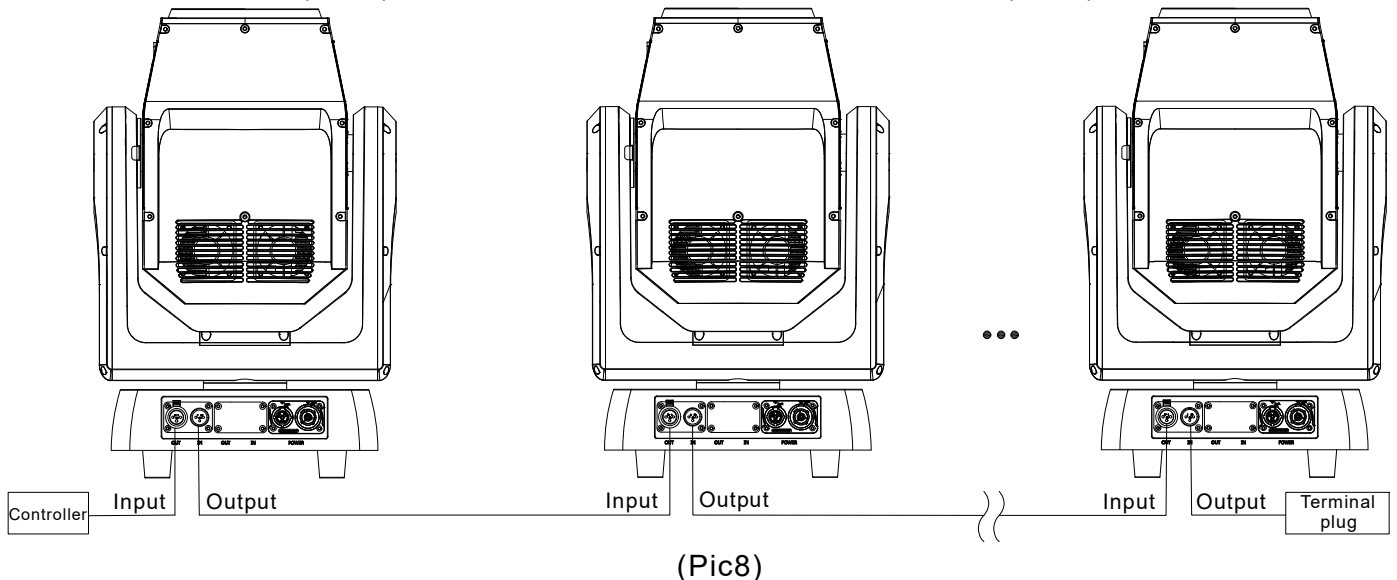
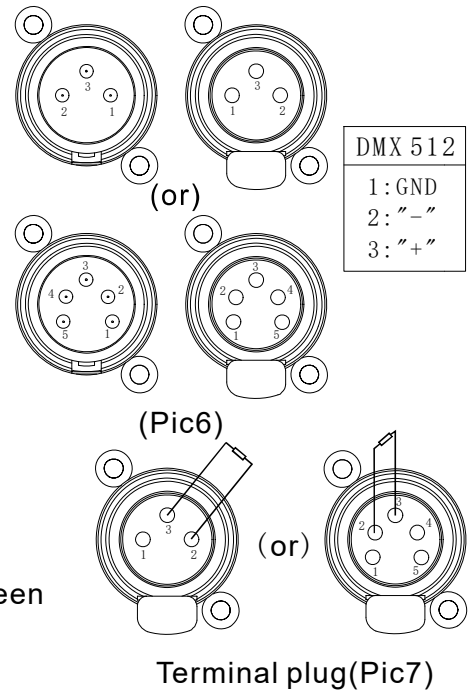
## Signal connection

The fixture adopts 3pin/5pin socket to control DMX input and output, Pin1 is connected to grounded, Pin2 is connected to "- ", Pin3 is connected to "+ "(Pic6).

Please adopt professional DMX512 STP signal cable, usually its effective range is within 150m. When long distance signal transmission is required, please add DMX 512 signal amplifier.

To avoid the signal reflection during the transmission, please add a terminal which is 120Ω 1/4W resistance between DMX output pin2 and pin 3 of the last fixture. Plug the pin to the DMX output connector of the last fixture. (Pic7)

Connect the fixture from the DMX output of controller to DMX input of the first fixture, and then connect the first fixture's DMX output to the second fixture's DMX input and so on, until all fixtures are being connected. Then please install a terminal plug in DMX output of the last fixture. (Pic 7) The method of connection as show bellow. (Pic 8)



- Notice:
- Don't use multi- output connecter for connecting separately, It must connect the branch with DMX512 signal amplifier to separate them if it is required.
  - Standard amplifier cable is not reliable for long-distance data transmission; Please adopt professional DMX 512 STP signal cable.
  - The signal of the fixture only has one input and one output. Two input/output for each fixture are not available.

## Power connection

Input voltage and frequency must be identical to the voltage and frequency marked on the fixture. When many fixtures are working at the same time, it is strongly recommended to control each fixture on/off individually.

### Connection type

	Live or L	Neutral or N	Earth, Ground or ⊕
US system	Black	White	Green
EU system	Brown	Blue	Yellow/green

#### Notice:

- When connect power supply, please make sure the E line (yellow & green.) is properly connected. And it is corresponded with the relative electrical installation standards.
- Insulation class between LV power supply and controlling conductor: I
- Please confirm the voltage of the power supply is corresponded to the voltage on the fixture's identifications before professionals install it. Please also make sure it has overload or leakage protection.
- If the external cable is damaged, don't change it by yourself, please contact the manufacture/local as soon as possible.
- AC220V: Lighting fixture connection not surpass 10 units(2.5mm<sup>2</sup> ).
- AC110V: Lighting fixture connection not surpass 5 units(12AWG ).

## Installation instruction& Requirement

The user need to arrange regular safety inspection for the fixtures and parts that are connected to the fixture. Please have professionals to operate if operating conditions and professional instructions are insufficient. Incorrect installation by non-professionals may leading to property loss or life danger.

Make sure there is no damage to rigging and clamps and they can bear at least 6 times weight of the fixture. Check if the truss or pipe construction can bear at least 6 times total weight of all equipment, like clamps, cables and other accessories.

### G-clamp Installation

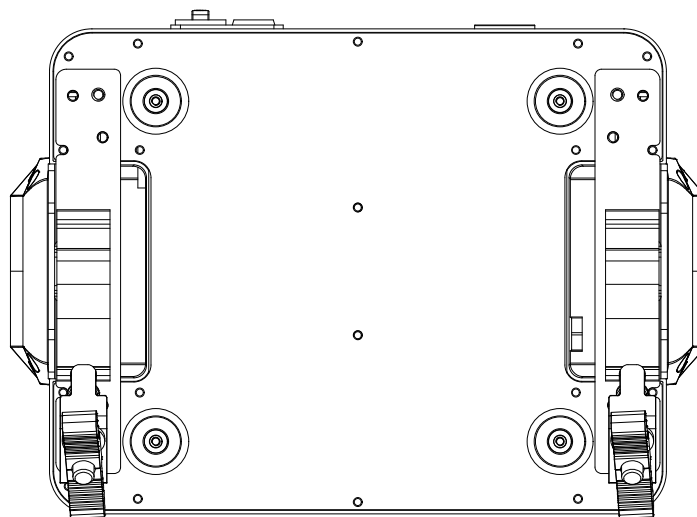
Install the G-clamp onto the base of the fixture, plug the G-clamp into the installation hole of the fixture's base. Rotate the quick lock plate into the slot tightly. Use the same installation method for the second G-clamp. (Pic9)

### Fixture Installation

Fixture is installed on the stage or truss, and the G-clamp can be locked on the truss tightly and quickly. (Pic10)

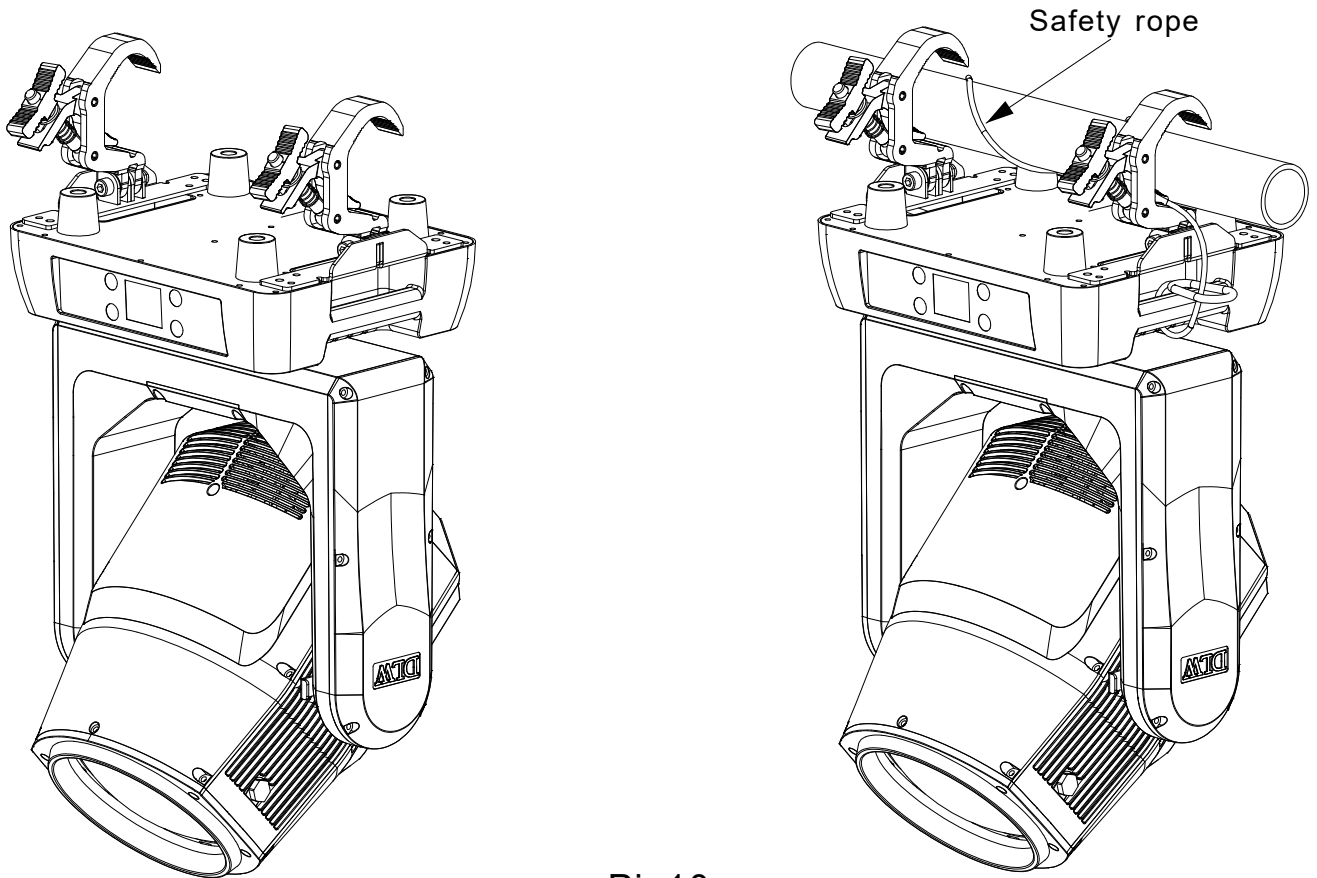
Notice:

- User must check if the G-clamp and safety chain are damaged or not.
- When hanging a fixture, the safety rope must pass through the handle.
- Please unlock the lock of tilt before power on.
- Side hanging for long time is not recommended.



Pan position

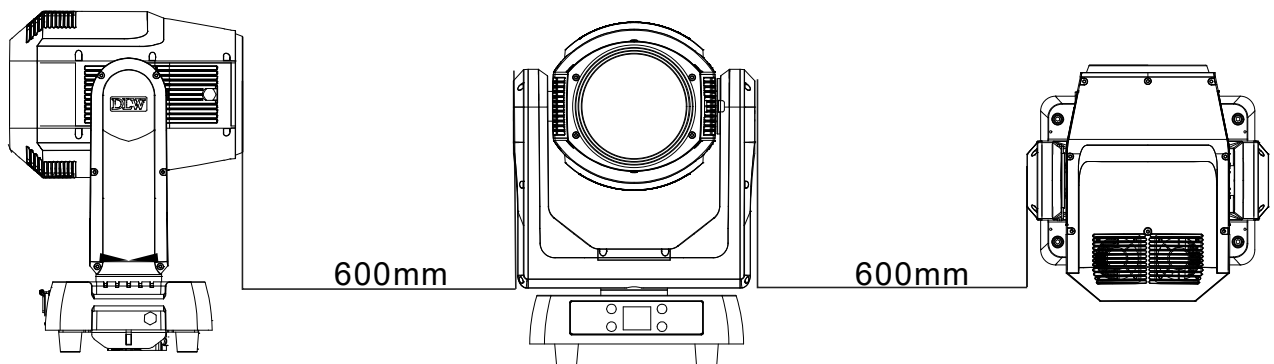
Pic9



Pic10

### Fixture Placement

When place the fixture, please check there is no inflammable object or inflammable material around the fixture. Then place the fixture vertically upward. The shortest safety distance for adjacent fixtures is  $\geq 0.6$  m when they are working. Fixtures installation show as follow (pic 11).



Pic11

### DMX Channel Sheet (Brief)

Channel	23CH	26CH	34CH
1	Pan	Pan	Pan
2	Pan Fine	Pan Fine	Pan Fine
3	Tilt	Tilt	Tilt
4	Tilt Fine	Tilt Fine	Tilt Fine
5	Pan Infinite rotation	Pan Infinite rotation	Pan Infinite rotation
6	Tilt Infinite rotation	Tilt Infinite rotation	Tilt Infinite rotation
7	Strobe	Strobe	Strobe
8	Dimmer	Dimmer	Dimmer
9	Dimmer Fine	Dimmer Fine	Dimmer Fine
10	Focus	Focus	Focus
11	Cyan	Cyan	Focus Fine
12	Magenta	Magenta	Cyan
13	Yellow	Yellow	Cyan Fine
14	Color Wheel	Color Wheel	Magenta
15	Gobo1	Gobo1	Magenta Fine
16	Gobo1 Rotate	Gobo1 Rotate	Yellow
17	Fixed Gobo	Gobo1 Rotate Fine	Yellow Fine
18	Prism1	Fixed Gobo	Color Wheel
19	Prism1 Rotate	Prism1	Gobo1
20	Prism2	Prism1 Rotate	Gobo1 Rotate
21	Prism2 Rotate	Prism1 Rotate Fine	Gobo1 Rotate Fine
22	Frost	Prism2	Fixed Gobo
23	Fixture control	Prism2 Rotate	Prism1
24	-	Prism2 Rotate Fine	Prism1 Rotate
25	-	Frost	Prism1 Rotate Fine
26	-	Fixture control	Prism2
27	-	-	Prism2 Rotate
28	-	-	Prism2 Rotate Fine
29	-	-	Frost
30	-	-	Fixture control
31	-	-	Pan/Tilt speed
32	-	-	Color speed
33	-	-	Focus speed
34	-	-	Gobo speed

### DMX Specific Channel Sheet

23CH	26CH	34CH	Specifications	DMX Value	Function
1	1	1	Pan	0-255	0°->540°
2	2	2	Pan Fine		
3	3	3	Tilt	0-255	0°->270°
4	4	4	Tilt Fine		
5	5	5	Pan Infinite rotation	0-127	Null
				128-190	Infinite rotation Clockwise rotation from fast to slow
				191-192	Stop
				193-255	Infinite rotation Anti-clockwise rotation from slow to fast
6	6	6	Tilt Infinite rotation	0-127	Null
				128-190	Infinite rotation ockwise rotation from fast to slow
				191-192	Stop
				193-255	Infinite rotation Anti-clockwise rotation from slow to fast
7	7	7	Strobe	0-19	Closed
				20-49	Open
				50-200	Strobe from slow to fast
				201-210	Open
				211-255	Random strobe from slow to fast
8	8	8	Dimmer	0-255	Closed-open(0%-100%)
9	9	9	Dimmer Fine		
10	10	10	Focus	0-255	From far to near
-	-	11	Focus Fine		
11	11	12	Cyan	0-255	Cyan Linear movenent 0-100%
-	-	13	Cyan Fine		
12	12	14	Magenta	0-255	Magenta Linear movenent 0-100%
-	-	15	Magenta Fine		
13	13	16	Yellow	0-255	Yellow Linear movenent 0-100%
-	-	17	Yellow Fine		
14	14	18	Color Wheel	0-128	Color Linear movenent
				129-131	Open
				132-134	Color1
				135-137	Color2
				138-140	Color3
				141-143	Color4
				144-146	Color5
				147-149	Color6
				150-152	Color7
				153-155	Color8
				156-158	Color9
				159-161	Color10
				162-164	Color11
				165--167	Color12
168-170	Color13				
171-173	Color14				


				174-176	Color15
				177-179	Color16
				180-182	Color17
				183-185	Color18
				186-188	Color19
				189-191	Open
				192-223	Color water from fast to slow
				224-255	Color water from slow to fast
15	15	19	Gobo1	0-12	Open
				13-17	Gobo 1
				18-22	Gobo 2
				23-27	Gobo 3
				28-32	Gobo 4
				33-37	Gobo 5
				38-42	Gobo 6
				43-47	Gobo 7
				48-52	Gobo 8
				53-57	Gobo 9
				58-62	Gobo 10
				63-68	Gobo1 shake from slow to fast
				69-74	Gobo2 shake from slow to fast
				75-80	Gobo3 shake from slow to fast
				81-86	Gobo4 shake from slow to fast
				87-92	Gobo5 shake from slow to fast
				93-98	Gobo6 shake from slow to fast
				99-104	Gobo7 shake from slow to fast
				105-110	Gobo8 shake from slow to fast
				111-116	Gobo9 shake from slow to fast
117-122	Gobo10 shake from slow to fast				
123-191	Anti-clockwise rotation from fast to slow				
192-255	Clockwise rotation from slow to fast				
16	16	20	Gobo1 Rotate		Positioning mode
				0-127	Indexing(0-360Degree)
					Rotate mode
				128-190	Anti-clockwise rotation from fast to slow
				191-192	Stop
	193-255	Clockwise rotation from slow to fast			
-	17	21	Gobo1 Rotate Fine		
				0-3	Open
				4-5	Gobo 1
				6-7	Gobo 2
				8-9	Gobo 3
				10-11	Gobo 4
				12-13	Gobo 5
				14-15	Gobo 6
				16-17	Gobo 7

17	18	22	Fixed Gobo	18-19	Gobo 8
				20-21	Gobo 9
				22-23	Gobo 10
				24-25	Gobo 11
				26-27	Gobo 12
				28-29	Gobo 13
				30-31	Gobo 14
				32-33	Gobo 15
				34-35	Gobo 16
				36-37	Gobo 17
				38-39	Gobo 18
				40-41	Gobo 19
				42-43	Gobo 20
				44-45	Gobo 21
				46-47	Gobo 22
				48-49	Gobo 23
				50-52	Gobo 24
				53-57	Gobo1 shake from slow to fast
				58-62	Gobo2 shake from slow to fast
				63-67	Gobo3 shake from slow to fast
				68-72	Gobo4 shake from slow to fast
				73-77	Gobo5 shake from slow to fast
				78-82	Gobo6 shake from slow to fast
				83-87	Gobo7 shake from slow to fast
				88-92	Gobo8 shake from slow to fast
				93-97	Gobo9 shake from slow to fast
				98-102	Gobo10 shake from slow to fast
				103-107	Gobo11 shake from slow to fast
				108-112	Gobo12 shake from slow to fast
				113-117	Gobo13 shake from slow to fast
				118-122	Gobo14 shake from slow to fast
				123-127	Gobo15 shake from slow to fast
				128-132	Gobo16 shake from slow to fast
133-137	Gobo17 shake from slow to fast				
138-142	Gobo18 shake from slow to fast				
143-147	Gobo19 shake from slow to fast				
148-152	Gobo20 shake from slow to fast				
153-157	Gobo21 shake from slow to fast				
158-162	Gobo22 shake from slow to fast				
163-167	Gobo23 shake from slow to fast				
168-172	Gobo24 shake from slow to fast				
173-213	Anti-clockwise rotation from fast to slow				
214-255	Clockwise rotation from slow to fast				
18	19	23	Prism1	0-127	Open
				128-255	Prism1 insert
				0-127	0->360°

19	20	24	Prism1 Rotate	128-190	clockwise rotation fast to slow
				191-192	Stop
				193-255	Anti-clockwise rotation from slow to fast
-	21	25	Prism1 Rotate Fine		
20	22	26	Prism2	0-127	Open
				128-255	Prism2 insert
21	23	27	Prism2 Rotate	0-127	0->360°
				128-190	clockwise rotation fast to slow
				191-192	Stop
				193-255	Anti-clockwise rotation from slow to fast
-	24	28	Prism2 Rotate Fine		
22	25	29	Frost	0-127	Null
				128-255	Frost insert
23	26	30	Fixture control	0-9	Null
				10-14	Fixture reset
				15-29	Specification reset
				30-34	Pan-tilt reset
				35-49	Reserved
				50-54	1.2KHz
				55-59	6 KHz
				60-64	12KHz
				65-69	24KHz
				70-74	25KHz
				75-79	Reserved
					Dimmer Curve control
				80-84	Dimmer Curve1
				85-89	Dimmer Curve2
				90-94	Dimmer Curve3
				95-99	Dimmer Curve4
					Scene mode
100-104	Theater mode				
105-109	Quiet mode				
110-114	AUTO mode				
115-119	HIGH mode				
120-255	Reserved				
-	-	31	Pan/Tilt speed	0-255	Stepping time from fast to slow
-	-	32	Color speed	0-255	Stepping time from fast to slow
-	-	33	Focus speed	0-255	Stepping time from fast to slow
-	-	34	Gobo speed	0-255	Stepping time from fast to slow

## Maintenance & cleaning of the fixture

The fixture needs to be maintained and cleaned daily, because its lifespan depends on working environment and daily maintenance. Please contact our company engineer for any questions and feedback which are out of this user manual to our professional engineer.

Notes as bellow: 

- The power supply must be cut off before open the shell.
- Please open the shell after the fixture cooled completely
- Cleaning the optics components gently to avoid scratching the surface coating, To avoid damaging plastic and scratching the surface coating, Please don't use any harmful liquid or hard objects.
- Wiping the particulate Matter with tasteless tissue-paper or cotton cloth with clean, distilled water. Don't wipe the surface, but blow away floating things with pressure gas, any residues must be cleaned with distilled water from center to edge, and then dry it with soft cotton cloth.
- Please change the lens in time when it cracks or has other damages
- It is out of warranty any damage caused by fan with overmuch dust, smoke fluidity and abnormal using fixture.
- There is temperature protection device of the fixture, when the temperature is too high the LED module will be off automatically. When this happens, please check if the fan is working well or not. Plus, checking if the fan filter is blocked by dust. Please only reset the fixture after the qualified professional technicians finish troubleshooting.
- Weekly cleaning and maintenance for the fan filters and lens is recommended. Please do a complete maintenance half a year.

## Troubleshooting

The following are some problems in process of operation, and there are some suggestions for troubleshooting:

Fixture doesn't response, when power on

- Check if power input is normal.
- Check if power switch is on.
- Check if fuse is burned.

**Console losing control:**

- Check if the display is flicker, if yes, check if DMX signal connector and signal cable are connected well.
- If the display is not flickering, but the fixture is still have no response to the control channel instructions, please check if IP address is correctly set.
- If DMX signal is not stable, please check XLR socket and signal cable are connected well.
- Change another console for testing.

**channel failure:**

- Step motor or motor leading wire Maybe damaged.
- Drive circuit of motor may be damaged.

**Lamp blinking:**

- Check if the voltage is too high or too low, when the lamp is abnormal lighting.
- It is necessary to change the fan if the inner temperature is too high.

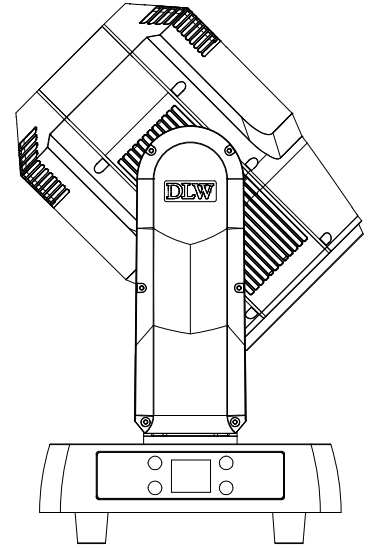
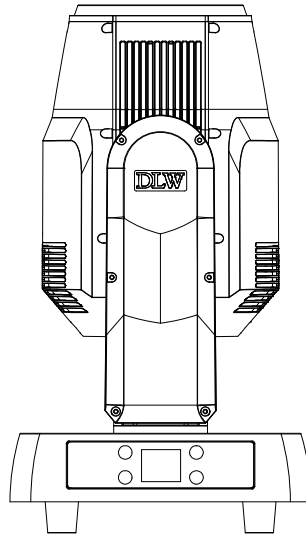
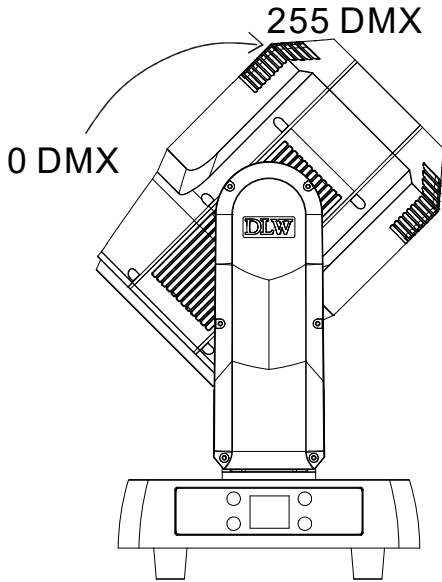
**Attachment 1 Angle range and the measurement figure of the fixture**

● **Angle range of the fixture**

Tilt= 0 DMX

Tilt= 128 DMX

Tilt= 255 DMX



Display  
Pan= 0 DMX

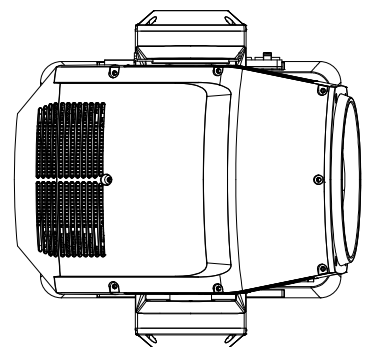
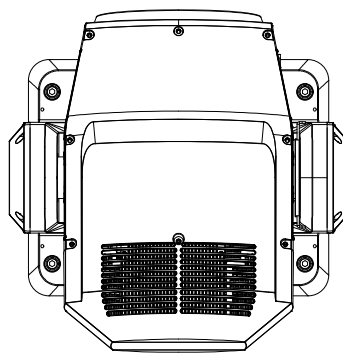
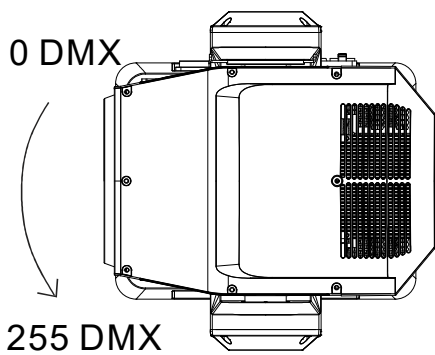
Display  
Pan= 0 DMX

Display  
Pan= 0 DMX

Pan= 0 DMX  
Power cord

Pan= 128 DMX  
Power cord

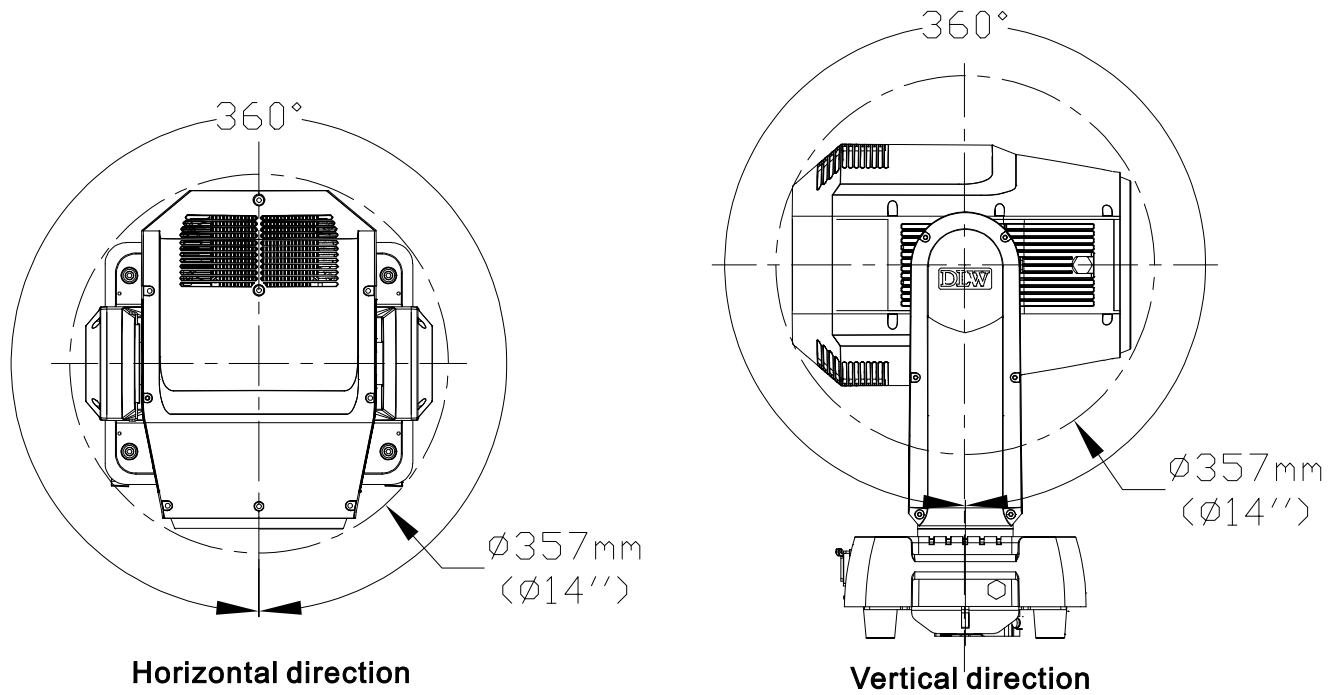
Pan= 255 DMX  
Power cord



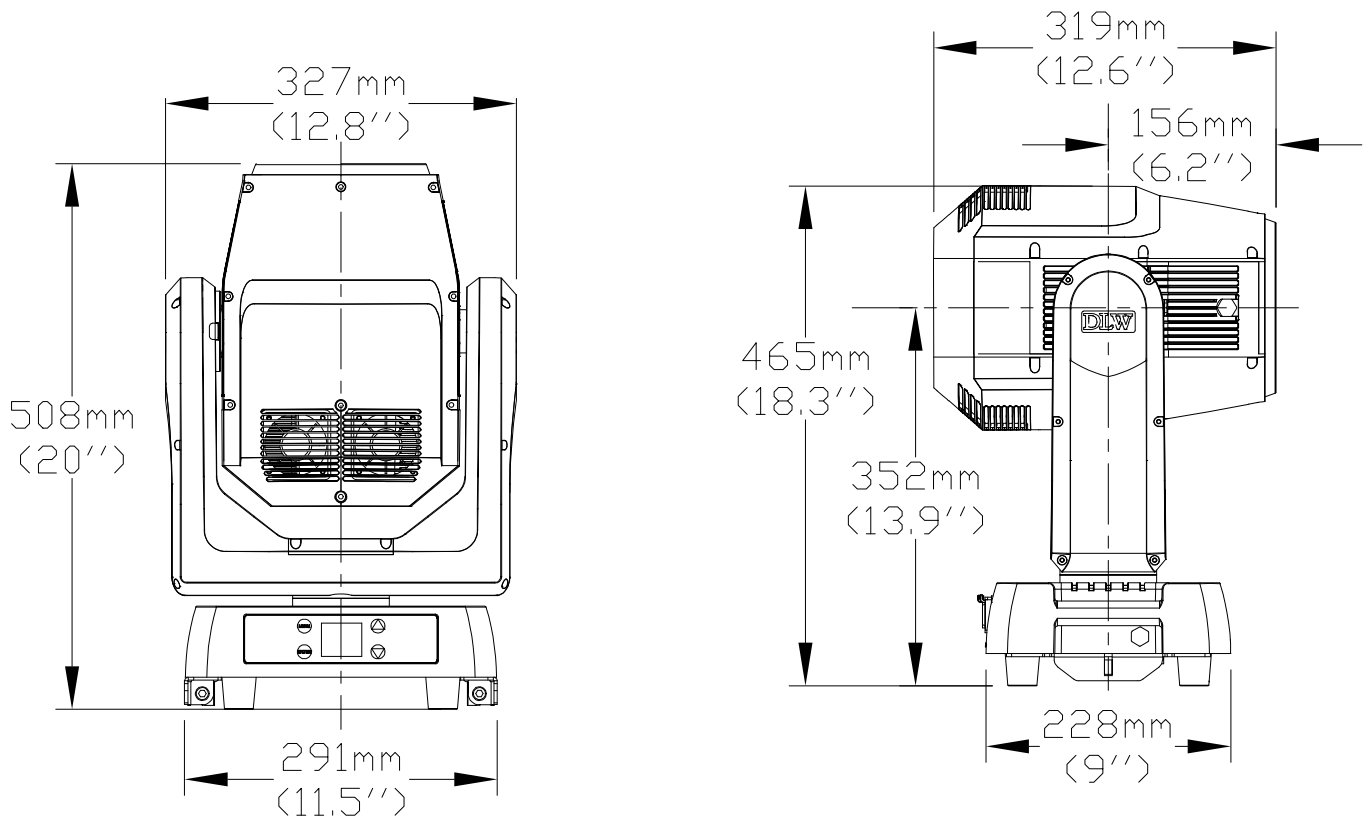
Display  
Tilt= 45 DMX

Display  
Tilt= 45 DMX

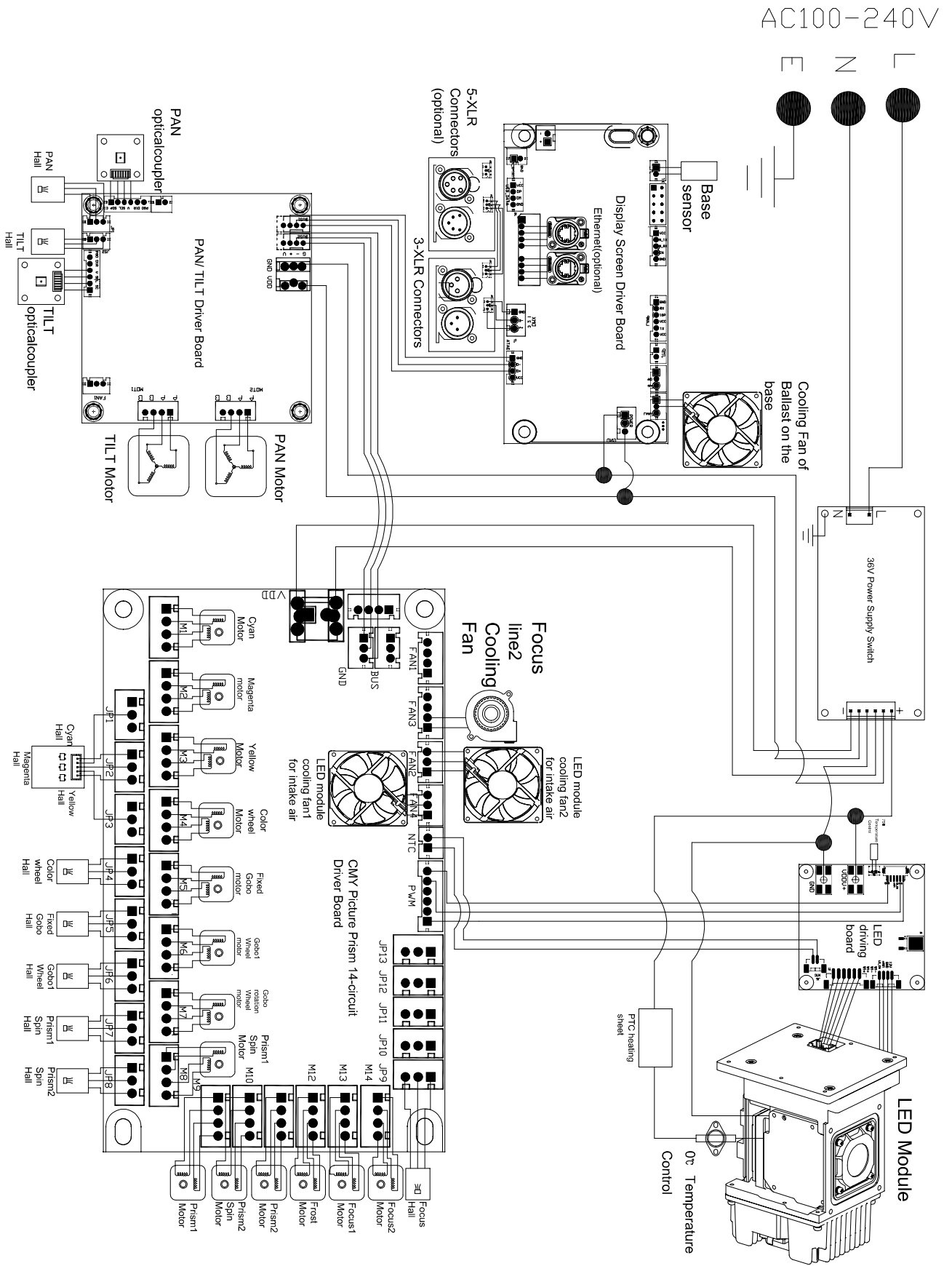
Display  
Tilt= 45 DMX



● The measurement figure of the fixture



# Attachment 2:Electrical Diagram





***DREAMLIGHT***



Guangzhou Dream Lighting Equipment Co., LTD

Add.No.21,Ruixiang Road, Xinhua Industrial Zone,  
Huadu District, Guangzhou

Tel.020 8161 2345 Fax. 020 3686 6631

[www.dlw-lighting.com](http://www.dlw-lighting.com)